

Switchable output Crystal Oscillators [10 ~ 1,500 MHz]

GCTQF CMOS waveform	GCPQF PECL Differential	GCDQF LVDS Differential	Q family F series	Frequency Switchable	SMD	2.5 V 3.3 V	Min. 10 MHz	Max. 1,500 MHz
-------------------------------	-----------------------------------	-----------------------------------	------------------------------------	---------------------------------------	------------	---------------------------	--	---

Features

Switchable output Oscillators

1.5 pS Phase Jitter (typical)

Mercury's Q-Family crystal oscillators delivered in days. Low current consumption (44 mA for LVPECL 622.080 MHz at 3.3V) & an integrated phase jitter performance of 1.5 pS RMS. Gaining its precision frequency control market position by providing engineers with *next-day* samples for prototypes and low cost , fast delivery for volume production.



General specifications , at Ta = + 25°C

Model	GCTQF	GCPQF	GCDQF
Output Logic	CMOS	PECL	LVDS
Supply Voltage V _{DD} (code)	+ 2.5 V _{DD} ± 5% (voltage code " 25 ") + 3.3 V _{DD} ± 5% (voltage code " 33 ")	+ 2.5 V _{DD} ± 5% (voltage code " 25 ") + 3.3 V _{DD} ± 5% (voltage code " 33 ")	+ 2.5 V _{DD} ± 5% (voltage code " 25 ") + 3.3 V _{DD} ± 5% (voltage code " 33 ")
Available Frequency Range	10 ~ 250 MHz	10 ~ 1,500 MHz	10 ~ 1,500 MHz
Load	15 pF	50 Ω into V _{cc} - 2V or Thevenin equivalent	100 Ω between output and complimentary output
Output Logic " High " , " 1 "	90 % V _{DD}	V _{DD} - 1.03 (min.) , V _{DD} - 0.6 (max.)	1.4 V Typical , 1.6 V max.
Output Logic " Low " , " 0 "	10 % V _{DD}	V _{DD} - 1.85 (min.) , V _{DD} - 1.6 (max.)	1.1 V Typical , 0.9 V min.
Current Consumption (V _{DD} : +2.5 V)	100 MHz : 30 mA ; 250 MHz : 40 mA	600 MHz : 45 mA ; 1,500 MHz : 55 mA	600 MHz : 30 mA ; 1,500 MHz : 35 mA
Current with Output Disable	18 mA typical	18 mA typical	18 mA typical
Current Consumption (V _{DD} : +3.3 V)	100 MHz : 35 mA ; 250 MHz : 40 mA	600 MHz : 50 mA ; 1,500 MHz : 60 mA	600 MHz : 35 mA ; 1,500 MHz : 40 mA
Rise Time / Fall Time	10.0 nS. (max.) Tr / Tf : 10% ↔ 90% waveform	0.5 nS. (max.) Tr / Tf : 20% ↔ 80% waveform	0.4 nS. (max.) Tr / Tf : 20% ↔ 80% waveform
Phase Jitter , rms (typical) (12 KHz to 20 MHz)	100 MHz : 0.8 ps ; 250 MHz : 0.8 ps	< 400 MHz 0.8 ps ; 600 MHz : 1.0 ps 1000 MHz : 1.3 ps ; 1,500MHz : 1.7 ps	< 400 MHz 0.8 ps ; 600 MHz : 0.8 ps 1000 MHz : 1.1 ps ; 1,500MHz : 1.3 ps

Frequency Stability Codes	Frequency Stability over Operating Temperature Range	± 25 ppm	± 50 ppm	± 100 ppm	If non-standard , please enter the desired stability after the " C " or " I " represents . For example : " C20 " ± 20 ppm over -10°C to +70°C ; " I20 " ± 20 ppm over -40°C to +85°C
	Commercial (-10°C to +70°C)	A	B	C	
	Industrial (-40°C to +85°C)	D	E	F	
Duty Cycle	50 % ± 5%	Aging at Ta = +25°C		± 5 ppm max. for first year at 25°C	
Start-up Time	10 m sec. (max.)	Storage Temperature		-55°C to + 150°C	

Control Voltage Function on Pad 1

Supply Voltage (V _{DD})	V _{DD} = +2.5 V ; V _{con} Center = +1.25V	V _{DD} = +3.3 V ; V _{con} Center = +1.65V	
V _{control} Range	+ 0.2V ~ +2.3V	+ 0.3V ~ +3.0V	
Frequency Pulling Range	± 80 ppm (min.)	± 80 ppm (min.)	
Absolute Voltage	2.8 V max. for 2.5V V _{DD} ; 4.0 V max. for 3.3V V _{DD}		
Linearity	± 5% typical. ±10% (max.)	Input Impedance	1 MΩ typical
Transfer Function	Positive Transfer	Bandwidth	10 KHz min. Measured at -3 dB

Frequency Selection Function on Pads

Frequency Selection (FSEL)	When FSEL = 0 , Output frequency is Freq.1 (f1)
	When FSEL = 1 , Output frequency is Freq.2 (f2)
	Default FSEL pin has internal pull-up resistor .
FSEL on pad2	70% of V _{DD} (min.) For FSEL = 1 , Output frequency is Freq.2 (f2)
	30% of V _{DD} (max.) For FSEL = 0 , Output frequency is Freq.1 (f1)

Outline Dimensions (Unit : mm) , Suggested pad Layout for SMDs

GC_QF326	GC_QF536	GC_QF576

Pad Connections

Pad 1 : Control Voltage ; **Pad 2** : Frequency Selection [FSEL = 0 (f1) , FSEL =1 (f2)] ; **Pad 3** : Ground
Pad 4 : [CMOS : Output , PECL or LVDS : Differential] ; **Pad 5** : [CMOS : NC , PECL or LVDS : Complementary] ; **Pad 6** : Supply Voltage

Mercury www.mercury-crystal.com

■Taiwan : Tel: (+886)-2-2406-2779 / sales-tw@mercury-crystal.com

■USA : Tel: (+1)-909-466-0427 / sales-us@mercury-crystal.com

■China : Tel: (+86)-512-5763-8100 / sales-cn@mercury-crystal.com

Switchable output Crystal Oscillators [10 ~ 1,500 MHz]

GCTQF	GCPQF	GCDQF	Q family F series	Frequency Switchable	SMD	2.5 V 3.3 V	Min. 10 MHz	Max. 1,500 MHz
CMOS waveform	PECL Differential	LVDS Differential						

Part Number Format and Example

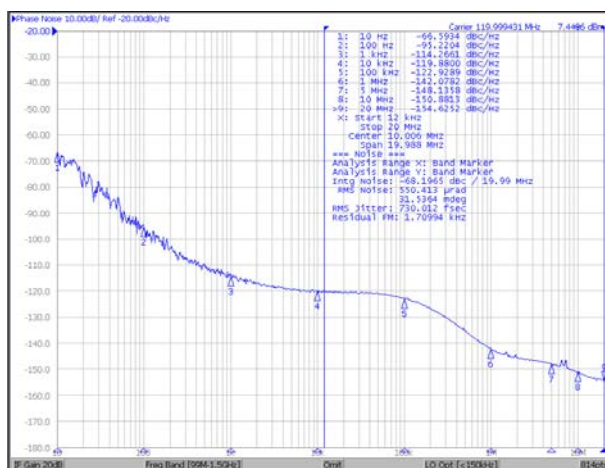
Example : 3GCTQF576 - E - 30.000 / 120.000

3	GCTQN	576	-	E	-	30	/	120
Supply Voltage "3" for 3.3V "25" for 2.5V	GCTQF : CMOS GCPQF : PECL GCDQF : LVDS	Package Size "576": 7 x 5 mm "536": 5 x 3.2 mm "326": 3 x 2.5 mm		Frequency Stability Code "E": ±50 ppm over -40 to +85°C. Other frequency stabilities are available.		Custom Frequency 1 FSEL = 0 (MHz)		Custom Frequency 2 FSEL = 1 (MHz)

Test Circuits and Output Waveforms

CMOS	PECL	LVDS
<p>FSEL = High Output : f2</p> <p>FSEL = Low Output : f1</p>	<p>FSEL = High Output : f2</p> <p>FSEL = Low Output : f1</p>	<p>FSEL = High Output : f2</p> <p>FSEL = Low Output : f1</p>

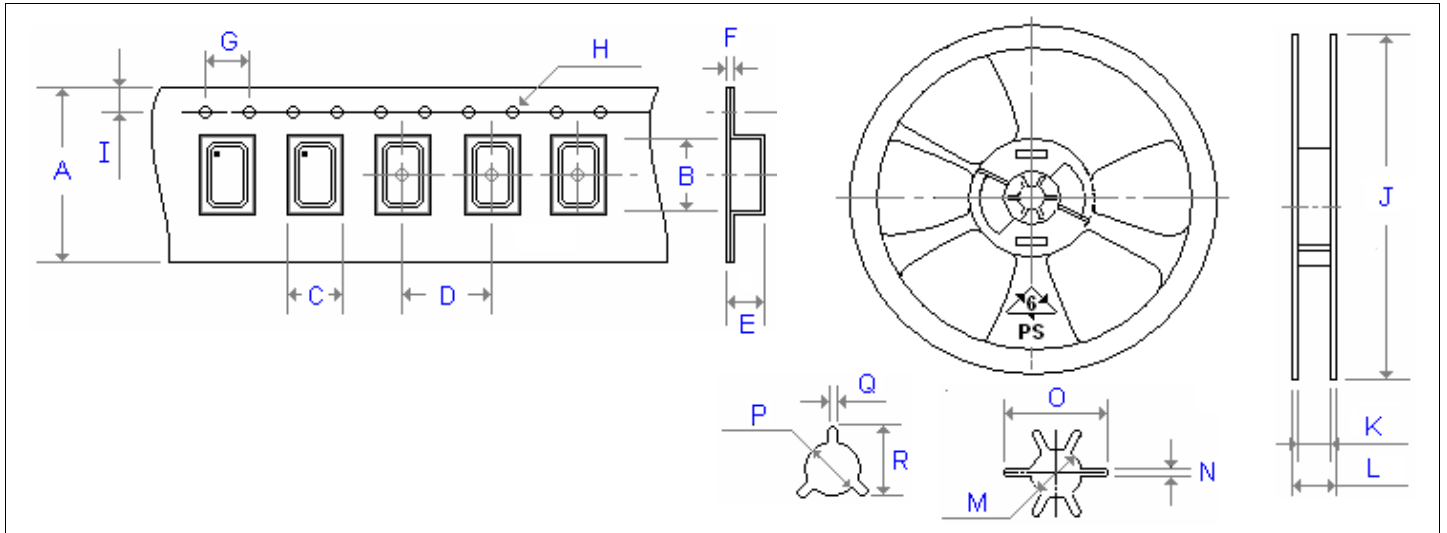
Phase Noise and Phase Jitter Data 3GCTQF576-E-30.000/120.000 (typical) , $V_{DD}=3.3V$, FSEL=1 (3.3V)



Emboss Taping and Reel Specifications

[VCXO]

[(VC)TCXO]



Carrier Type Dimensions (unit : mm)

	A	B	C	D	E	F	G	H	I	pcs / reel
G_324 (6)	8.0	3.4	2.7	4.0	1.4	0.3	4.0	∅ 1.50	1.75	3000
G_534	12.0	5.3	3.6	8.0	1.4	0.3	4.0	∅ 1.55	1.75	1000
G_576	16.0	7.3	5.3	8.0	1.9	0.3	4.0	∅ 1.55	1.75	1000
G_42	24.0	12.4	10.3	16.0	5.0	0.3	4.0	∅ 1.55	1.75	500
G_43	24.0	12.4	10.3	16.0	5.0	0.3	4.0	∅ 1.55	1.75	500
G_62	24.0	12.4	10.3	16.0	5.0	0.3	4.0	∅ 1.55	1.75	500
G_63	24.0	12.4	10.3	16.0	5.0	0.3	4.0	∅ 1.55	1.75	500
(V)M_22	8.0	2.8	2.3	4.0	1.1	0.3	4.0	∅ 1.50	1.75	3000
(V)M_32	8.0	3.4	2.7	4.0	1.4	0.3	4.0	∅ 1.50	1.75	3000
(V)MQ_326	12.0	3.6	2.9	4.0	1.7	0.3	4.0	∅ 1.55	1.75	3000
(V)M_53	12.0	5.3	3.6	8.0	1.4	0.3	4.0	∅ 1.55	1.75	1000
(V)M_57	16.0	7.4	5.5	8.0	2.8	0.4	4.0	∅ 1.50	1.75	500
(V)M_42	24.0	12.4	10.3	16.0	5.0	0.3	4.0	∅ 1.55	1.75	500
(V)M_43	24.0	12.4	10.3	16.0	5.0	0.3	4.0	∅ 1.55	1.75	500
(V)M_62	24.0	12.4	10.3	16.0	5.0	0.3	4.0	∅ 1.55	1.75	500
(V)M_63	24.0	12.4	10.3	16.0	5.0	0.3	4.0	∅ 1.55	1.75	500

Reel Dimensions (unit : mm)

	J	K	L	P	Q	R	pcs / reel
G_324 (6)	180.0	9.0	12.0	13.2	2.1	-	3000
G_534	180.0	13.0	16.0	13.2	2.5	-	1000
G_576	180.0	17.2	19.3	13.3	2.2	22.0	1000
G_42	330.0	30.0	25.0	13.4	2.5	19.5	500
G_43	330.0	30.0	25.0	13.4	2.5	19.5	500
G_62	330.0	30.0	25.0	13.4	2.5	19.5	500
G_63	330.0	30.0	25.0	13.4	2.5	19.5	500
(V)M_22	180.0	9.0	12.0	13.2	2.1	-	3000
(V)M_32	180.0	9.0	12.0	13.2	2.1	-	3000
(V)MQ_326	180.0	9.0	12.0	13.2	2.1	-	3000
(V)M_53	180.0	13.0	16.0	13.2	2.5	19.5	1000
(V)M_57	180.0	17.2	19.3	13.3	2.2	22.0	500
(V)M_42	330.0	30.0	25.0	13.4	2.5	19.5	500
(V)M_43	330.0	30.0	25.0	13.4	2.5	19.5	500
(V)M_62	330.0	30.0	25.0	13.4	2.5	19.5	500
(V)M_63	330.0	30.0	25.0	13.4	2.5	19.5	500